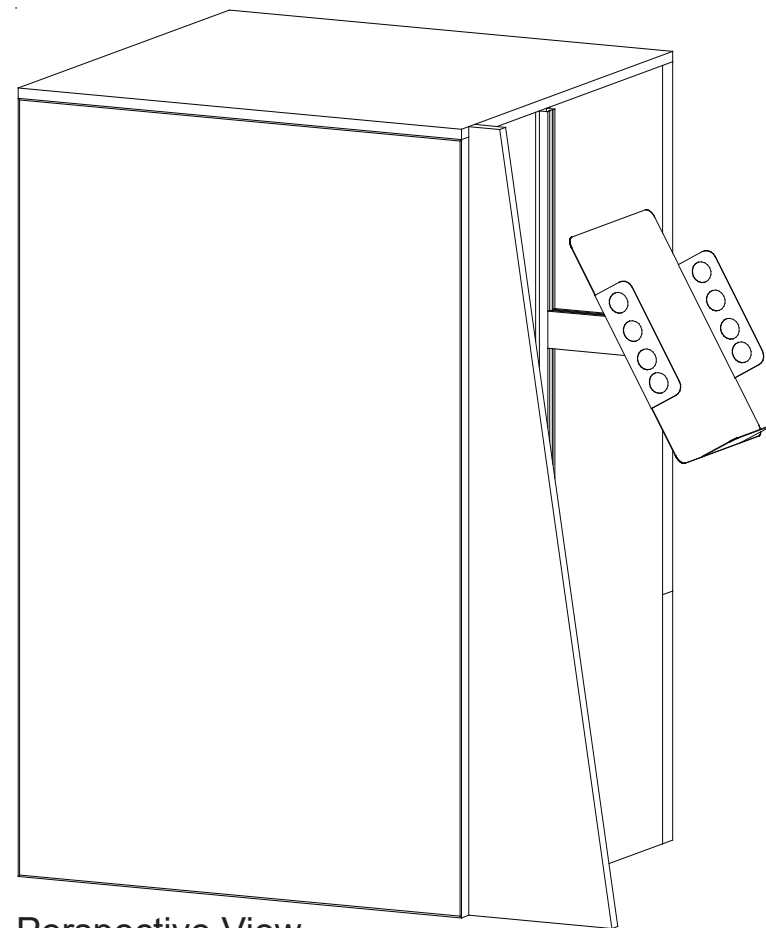
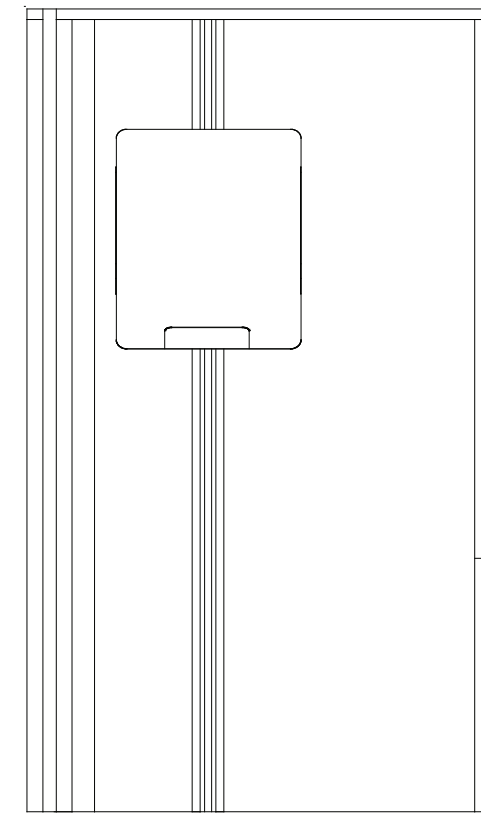


Top View



Perspective View



Side View

General Setup Instructions

- Read entire setup instruction manual prior to unpacking parts and pieces.
- The setup instructions are created specifically for this configuration.
- Setup instructions are laid out sequentially in steps, including exploded views with detailed explanation for assembly.

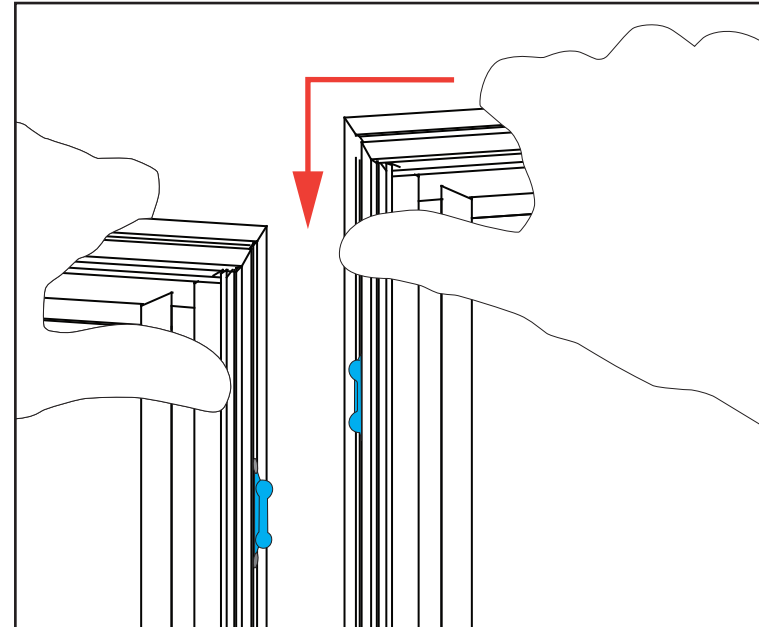
Cleaning & Packing

- For Cleaning Metal, Plex, & Laminate Parts: Use a **MILD NON-ABRASIVE** cleanser and soft cloth/paper towel to clean all surfaces.
- Keep exhibit components away from heat and prolonged sun exposure.
Heat and UV exposure will warp and fade components.
- Retain all provided Packing Materials. All provided packing materials are for ease of repacking & component protection.

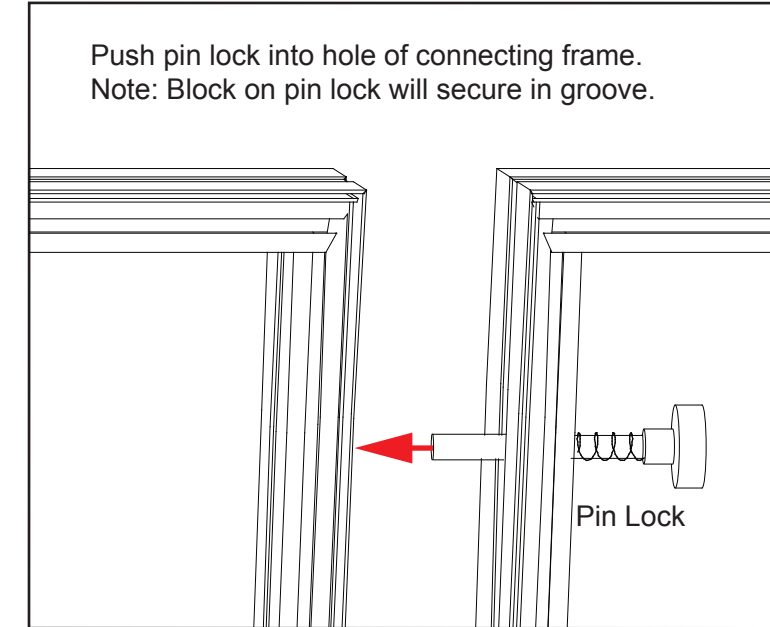
Disassembly

- For loss prevention, tighten all set screws and locks during disassembly.

Assembly



Assembly Cont'd



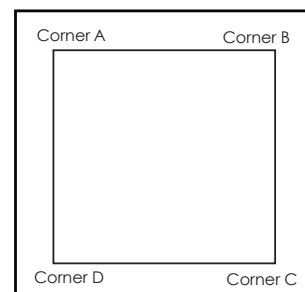
Side-by-Side Assembly

- 1) Frames: Place frames side-by-side with one higher than the other, then slide panel down to lock panels securely together.
- 2) Corner Connectors: Repeat Step 1 for installing corner connectors to frames.

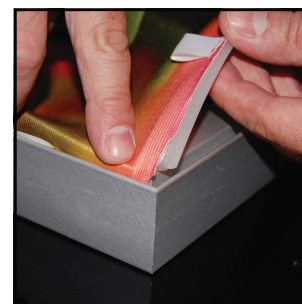
Side-by-Side Disassembly

- 1) Pull pin lock outwards to disengage.
- 2) Pull frames upward and apart at the same time to detach.

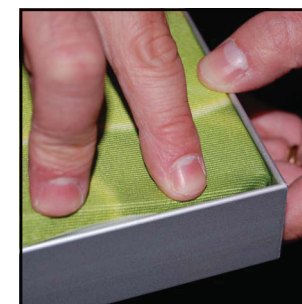
SEG Graphic Installation



It is important to first insert graphic into each alternate corner, then to the sides of the frame. If this is not done, graphic will not fit into the frame correctly.



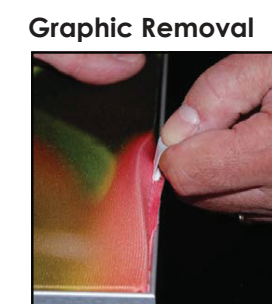
Step 1
Insert corner A. Turn edge of graphic so silicon welt is perpendicular to face of graphic. Insert narrow side of welt with fabric to outside into the channel. Repeat for other side of this corner.



Step 2
Repeat Step 1 for opposite corner C, then insert corner B, followed by corner D, to complete the installation of the corners.



Step 3
Once all corners are inserted, press one silicon edge into channel from corners and work toward the center. Make sure welt is fully inserted into channel. Continue until all sides are done. Smooth out edges of graphic.



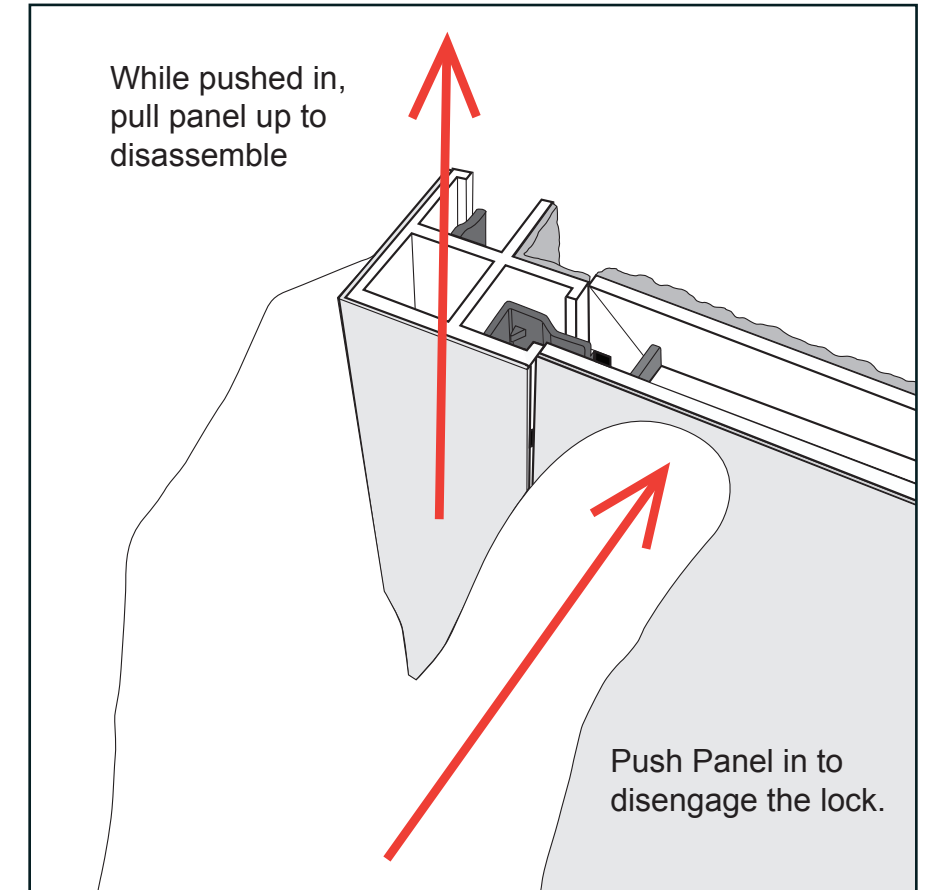
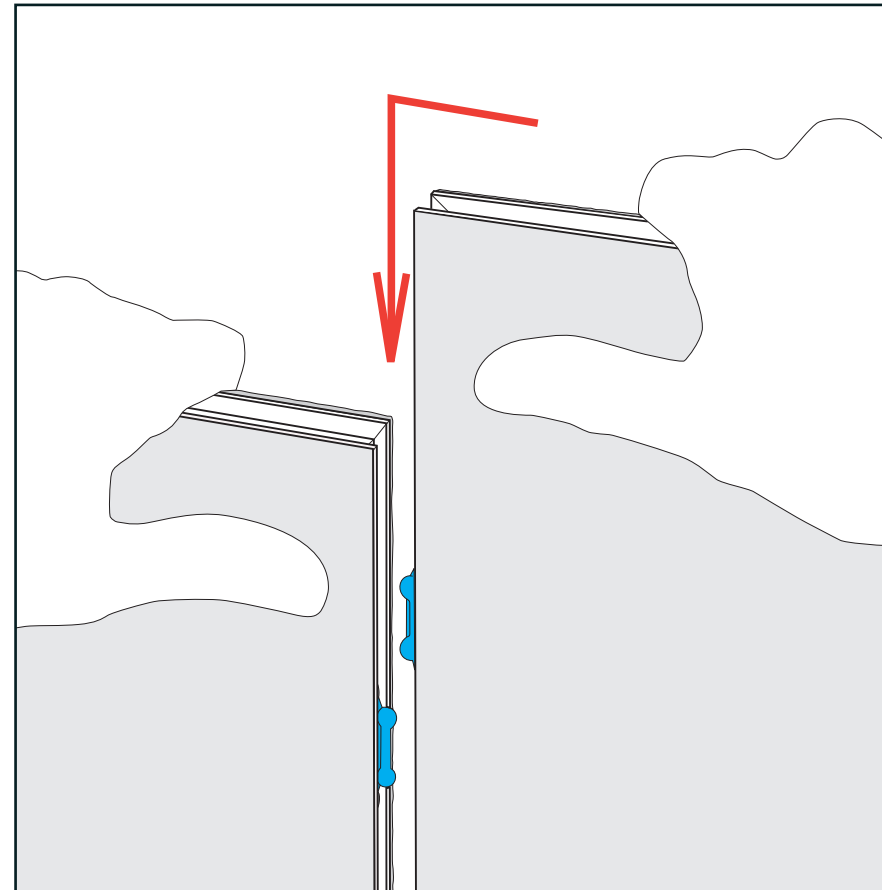
To remove the graphic from the frame, locate the fabric pull tab. Gently pull up on the tab to remove the fabric.

LT Panel Assembly

- 1) With a vertical offset, place LT-Panels side-by-side; slide vertically offset panel down to lock panels together and in place.
- 2) Corner Connectors (90°, T-Connector, Straight Connector) connect just as panels connect together. Repeat Step 1 for installing corner connectors to panels.

LT Panel Disassembly

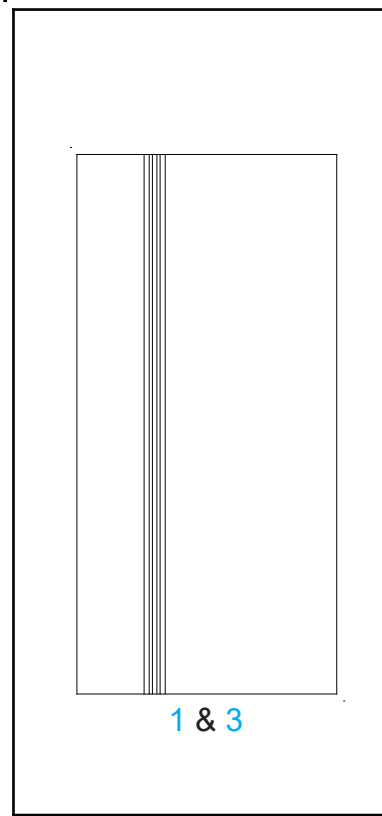
- 1) To disassemble push panel with upper locks horizontally to disengage top lock clip.
- 2) Slide panels or connectors vertically in opposing directions to release latches and disconnect parts.



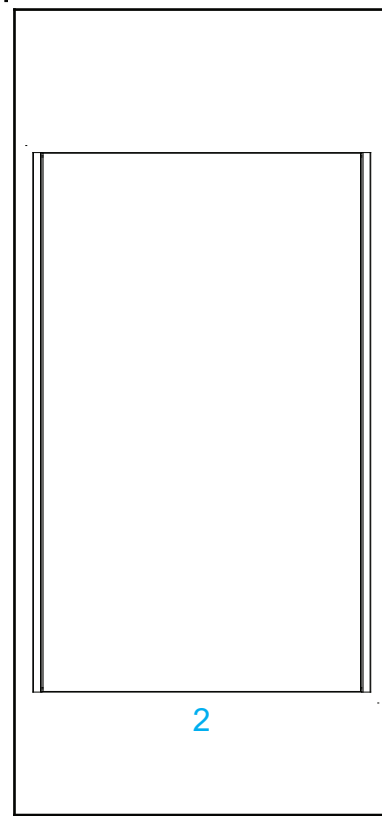
Top View of Each Level



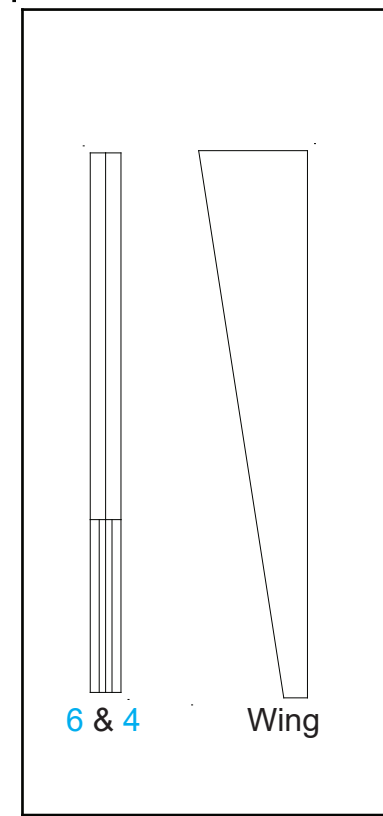
Level 1 (Bottom Level)



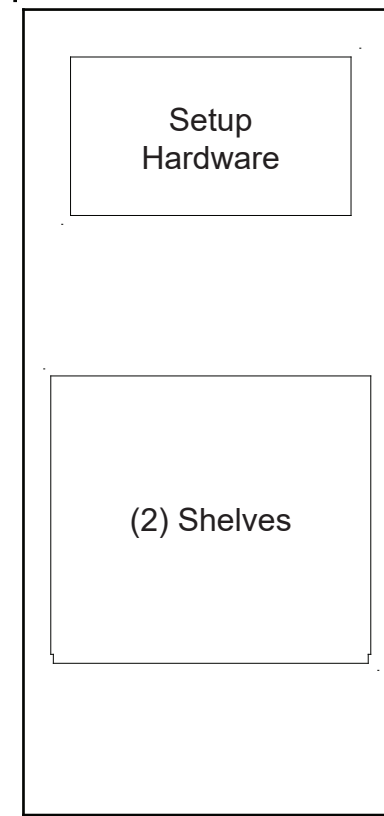
Level 2



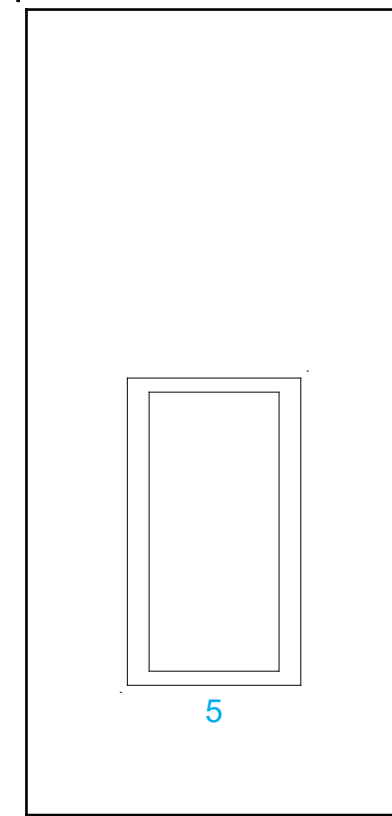
Level 3



Level 4



Level 5

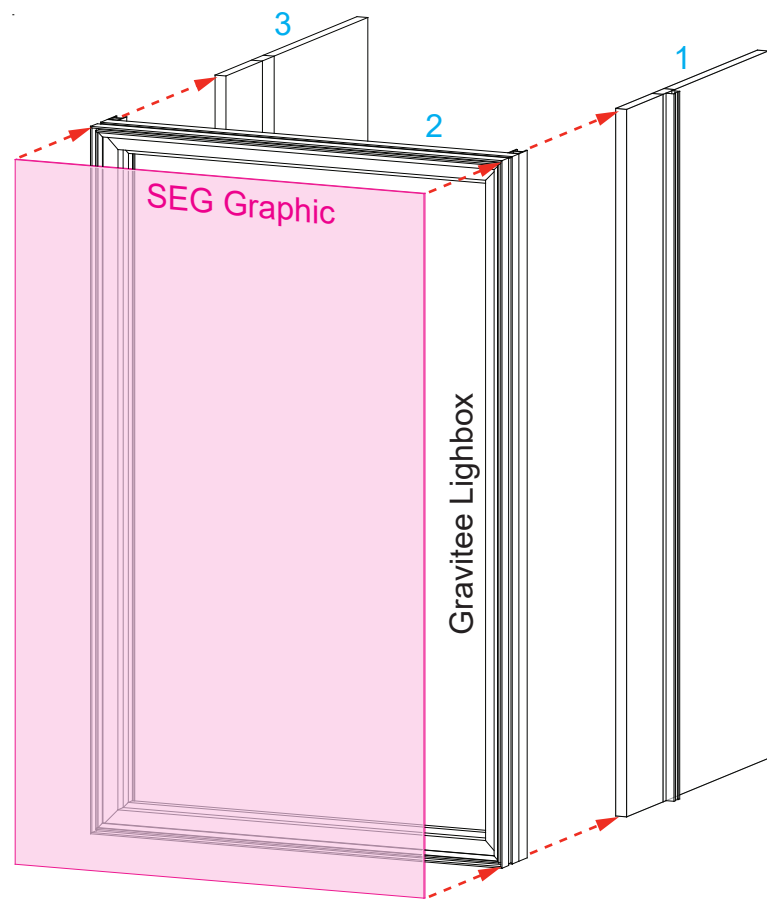
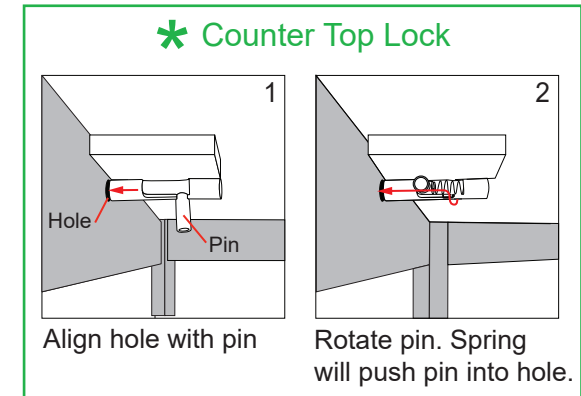


Level 6

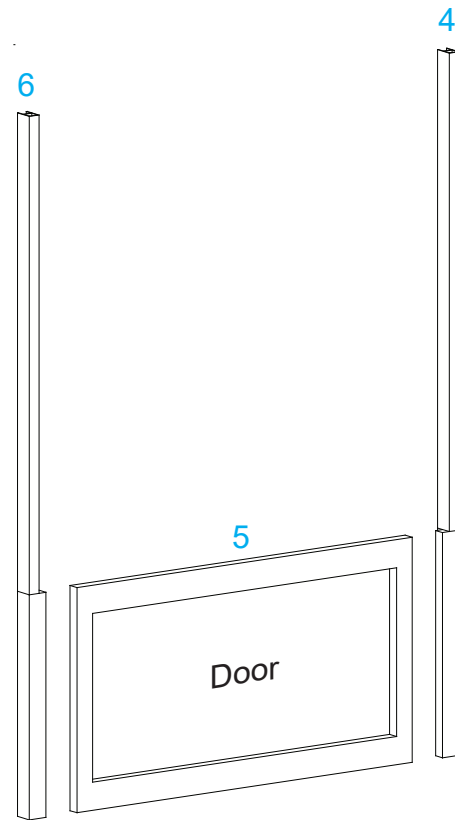
Item	Qty.	Description
1	1	18" x 37.5" LT Panel w/ 37.5" S10
2	1	Gravitee Lightbox w/ 37.5" End Caps
3	1	18" x 37.5" LT Panel
4	1	12" 90° LT Connector w/ 25.5" End Cap
5	1	21.375" x 12" Door
6	1	12" 90° LT Connector w/ 25.5" End Cap
--	1	Literature Holder
--	2	Shelf
--	6	Pin
--	1	Counter Top
--	1	Wing

Steps:

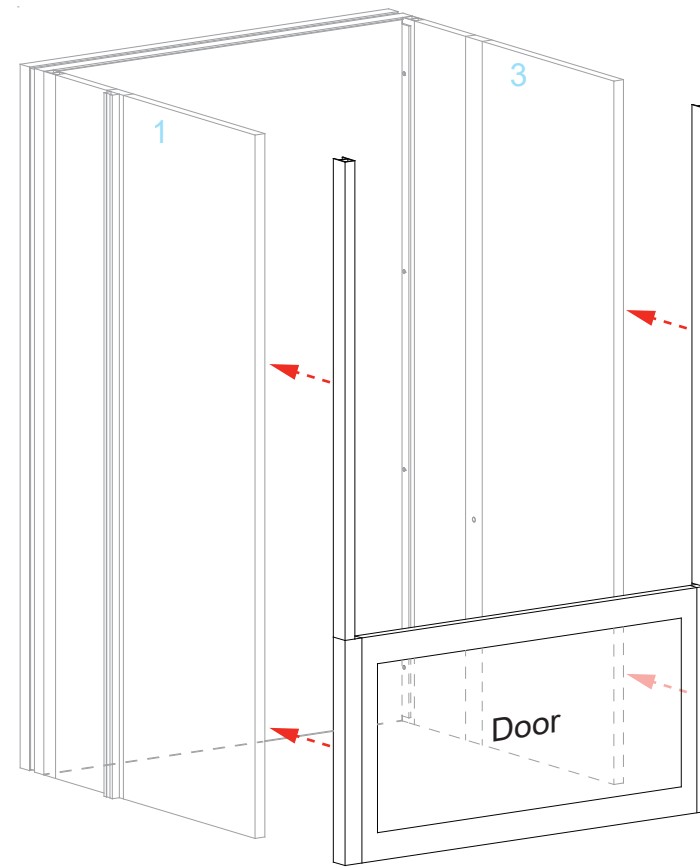
- See reverse side LT Panel Assembly instruction for steps 1, 2, and 3.
- 1) Connect Gravitee lightbox [2] to panels [1] and [3]. See reverse side for LT Panel Assembly instruction.
 - 2) Install SEG graphic to Gravitee Lightbox. See Gravitee & SEG Assembly Instruction sheet.
 - 3) Attach connectors [4] and [6] to door.
 - 4) Attach door assembly to panels [1] and [3].
 - 5) Place pins into panels [1] and [3] then set shelves onto pins.
 - 6) Attach literature holder to panel [1].
 - 7) Lock counter top to panels [1] and [3]. See Counter Top Lock detail.
 - 8) Attach wing to Gravitee lightbox.



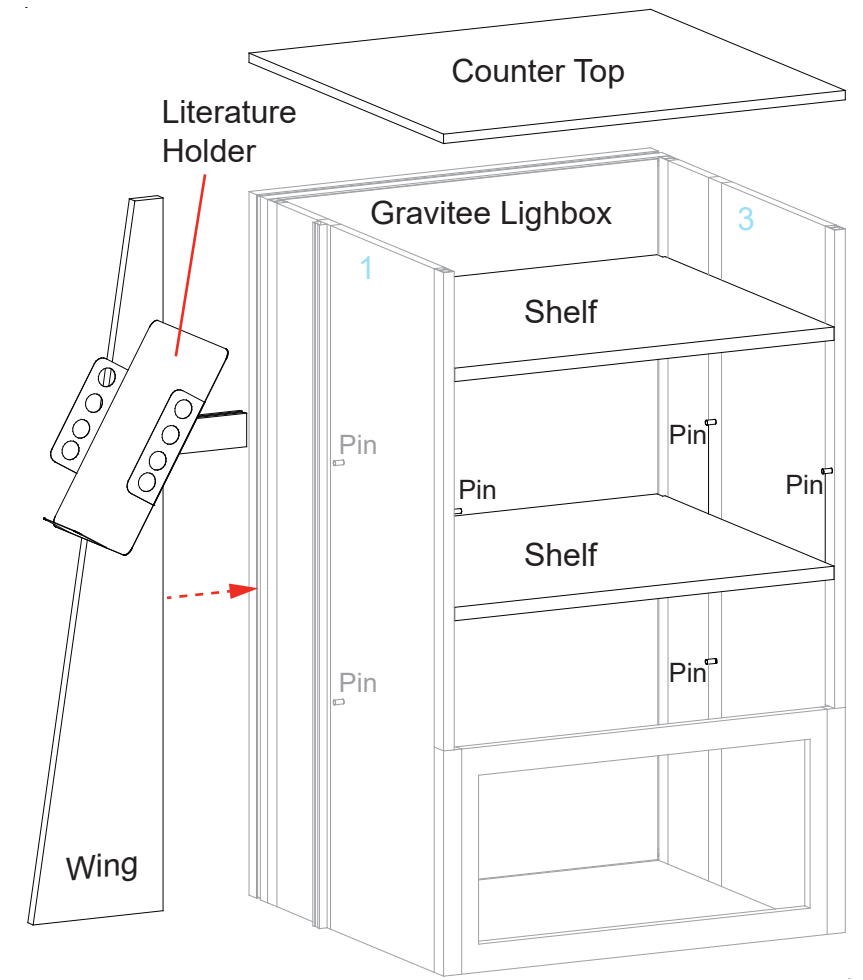
FRONT VIEW



BACK VIEW



BACK VIEW



BACK VIEW